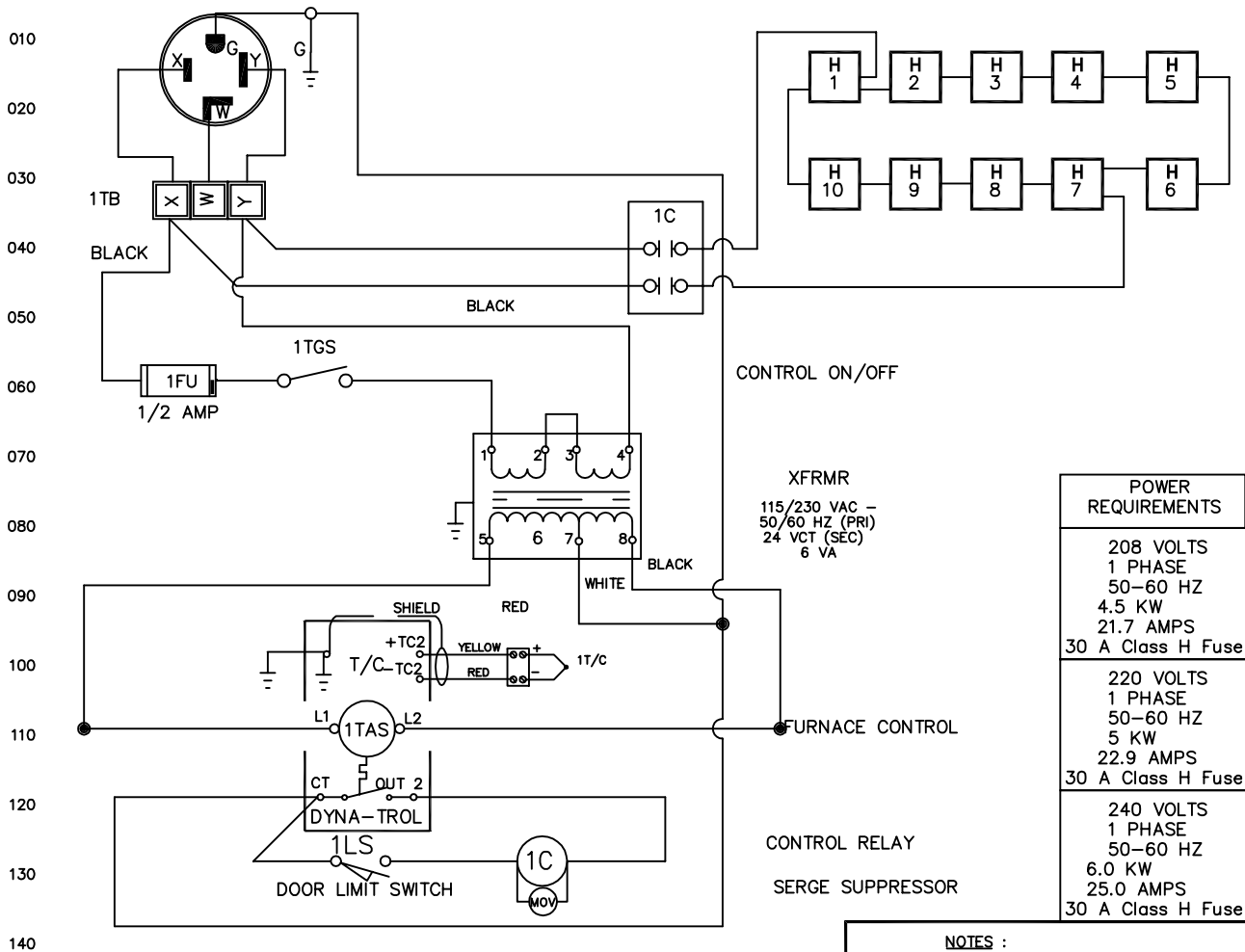
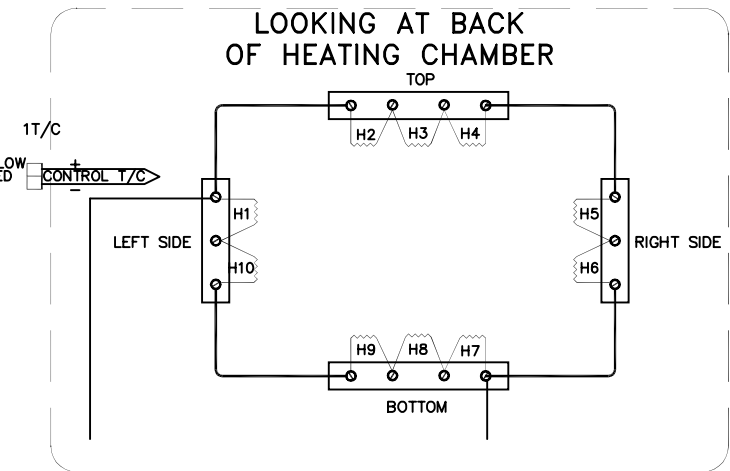


PLUG  
NEMA 14-30P  
POWER CORD (NOTE: Line W not Used)



POWER REQUIREMENTS	
208 VOLTS	1 PHASE
50-60 HZ	4.5 KW
21.7 AMPS	30 A Class H Fuse
220 VOLTS	1 PHASE
50-60 HZ	5 KW
22.9 AMPS	30 A Class H Fuse
240 VOLTS	1 PHASE
50-60 HZ	6.0 KW
25.0 AMPS	30 A Class H Fuse



**NOTES :**

ALL POWER WIRES ARE 10 AWG. SEWF-2  
ALL CONTROL WIRES ARE 14 AWG. SEWF-2

Make sure that Kiln is plugged into a properly sized and Configured receptacle as shown, and that the Power Disconnect is fused properly according to the kiln Nameplate. L & L special Furnace Co. recommends using fuses rather than Circuit breakers because over time circuit breakers can cause Nuisance tripping, but in either case make sure the hookup wiring is adequate for the KW load.

In an industrial environment, it may be necessary that Disconnect device be fitted with a means for LOCKOUT/TAGOUT Devices to prevent the kiln from inadvertently turned on During maintenance.

All elements are the same value and are interchangeable.

REV#	DATE	REVISION DESCRIPTION
.	.	.
.	.	.
.	.	.
.	.	FIRST ISSUE



**L & L SPECIAL FURNACE CO., INC.**  
20 KENT RD. P.O. BOX 2129 ASTON, PA. 19014

TITLE  
**MODEL GS1714 KILN  
WIRING DIAGRAM WITH  
AUTOMATIC DYNA-TROL CONTROL  
208 or 220 or 240 VOLTS / 1 PHASE**

SYMBOL	QTY	DESCRIPTION	L & L PART NUMBER
H1-10	10	HEATING ELEMENTS 208/240	(KS981105)
1C	1	POWER RELAY	E-CNT-E3012V-C1
1FU	1	PANEL MOUNT CONTROL FUSE HOLDER	E-FUB-P20101-A1
1FUS	1	FUSE	E-FUS-AGC2F5-A1
1LS	1	DOOR LIMIT SWITCH	E-LIM-BL29SX-A1
1T/C	1	THERMOCOUPLE	J-SHT-KMCB06-A1
1TAS	1	DYNA-TROL PROGRAM CONTROL	T-CPC-DYNATR-A1
1TB	1	POWER CONNECTION BOARD	E-TER-3X3030-A1
1TGS	1	ON/OFF TOGGLE SWITCH	E-SWT-SS206S-A1
MOV	1	SURGE SUPPRESSOR	E-SUG-V39ZA1-A1
PLUG	1	72" POWER PLUG, NEMA 14-30P	E-CRD-372030-A1
XFRMR	1	STEP DOWN TRANSFORMER	E-TRD-212VAS-D1

DRAWN BY	<b>KMH</b>	REV. CODE	DRAWING NO.
DATE	8/21/01	SCALE	1 = 1
CHK	G.D.L.	APP	G.D.L.
JOB NO	SER NO	SHEET NO. <b>1</b> OF <b>1</b>	
FILE NAME	L:\P\GS1714	MADE FROM	K227-160.DWG

L:\P\GS1714\620520.dwg, 08/21/01 09:54 PM, kgrftr